

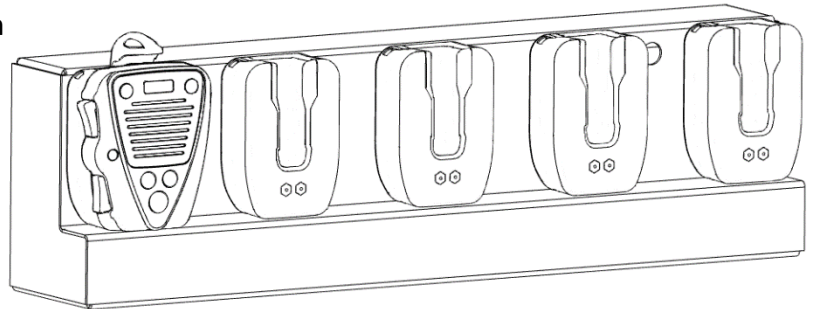


AINA Desktop Charger (5-unit)

Designed for the AINA PTT Voice Responder

Design

- Model: ADC5
- External dimensions: 445x80x125mm
- Weight: 2.60kg
- Charging cable with EU, UK, US and AU plug available
- Charging cable length: 1500mm
- Charging voltage 5V and maximum current 1.6A per cradle
- Operating temperature: -30 - 60°C



Wall mount (optional)

- Mountable on desktops or on charging racks with a standard 17 3/4" (450.85mm) width
- Maximum 5mm diameter screws to be used

